



# RJ45 Integrated Connector

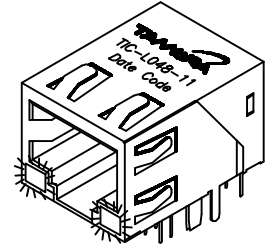
Gigabit, Single Port, Through Hole, LED's, Tab-Down

MODEL NUMBER

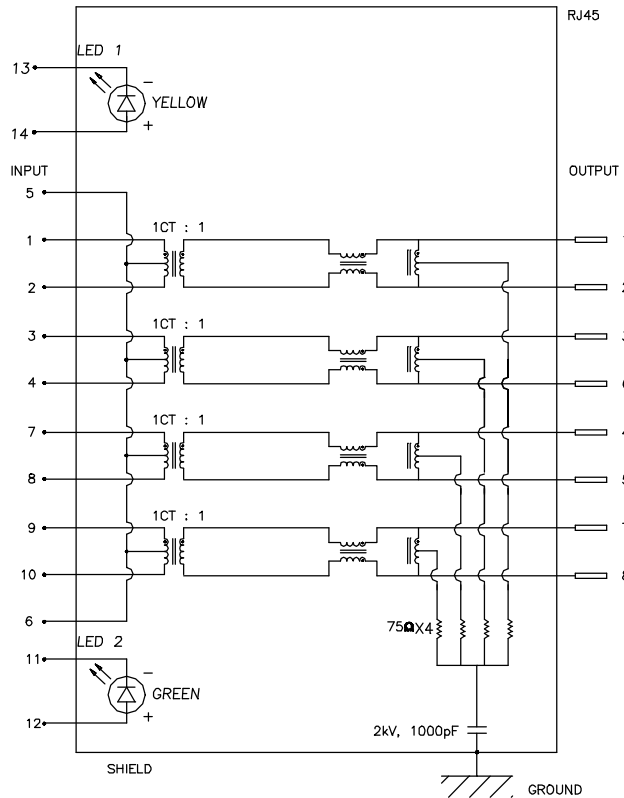
TIC-L048-11

- Meets IEEE 802.3 and ANSI X3.263
- Operating temperature: 0°C to +85°C
- Storage Temperature: -40°C to +85°C

Package Information			
Weight		Quantity	
weight/pcs (g)	weight/carton (kg)	quantity/tray (pcs)	quantity/carton (pcs)
6.3	7.5	100	1000



Electrical Specification @ 25°C								
Insertion Loss (dB Max)	Return Loss (dB Min)			CMRR (dB Min)	Crosstalk (dB Min)	OCL (μH Min)	Hipot (Vrms)	Impedance (Ω)
1-100 MHz	1-30 MHz	60 MHz	80 MHz	1-100 MHz	1-100 MHz	8mA Dc Bias	1 minute	
-1	-18	-16	-12	-30	-30	350	1500	100



PREPARED BY:

D. Rund

ENGINEER:

L. Le

QUALITY CONTROL:

D. Kelley

APPROVED:

J. Coleman

DWG CONTROL NO.  
P-A1-13086  
ACAD\TIC\A1130861.DWG

REV  
PRE

RJ45  
INTEGRATED CONNECTOR

**TAMURA CORPORATION OF AMERICA**  
43352 BUSINESS PARK DRIVE, TEMECULA, CA. 92590-6624  
(909) 699-1270 FAX 9096769482

TIC-L048-11

MODEL SPECIFICATION

DIM: mm(in) SCL: NONE SH: 1 OF 2

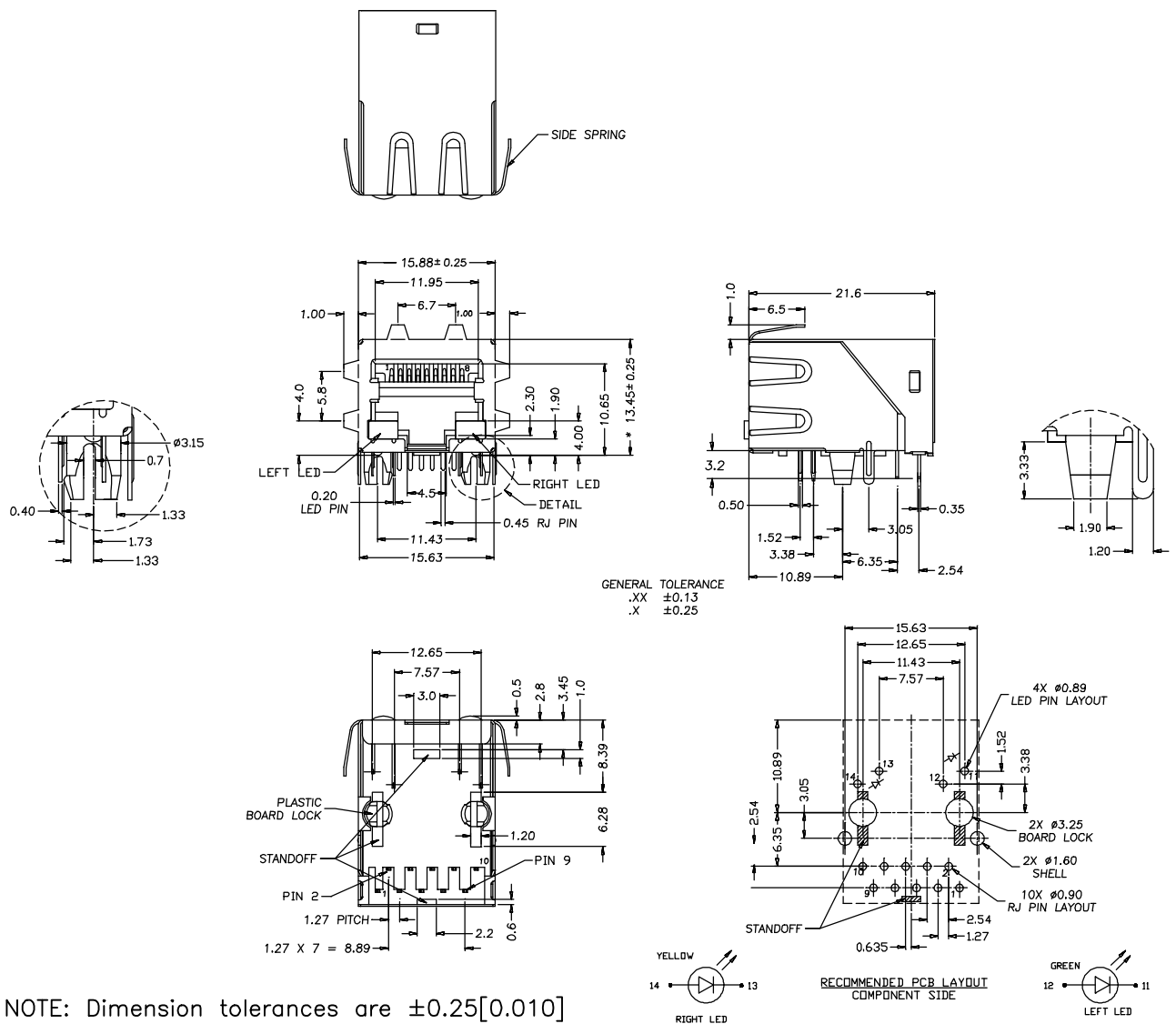
PROPRIETARY NOTICE: THIS DRAWING PRINT OR DOCUMENT AND SUBJECT MATTER DISCLOSED HEREIN ARE PROPRIETARY ITEMS TO WHICH TAMURA RETAINS THE EXCLUSIVE RIGHT OF DISSEMINATION, REPRODUCTION, MANUFACTURE AND SALE. THIS DRAWING, PRINT OR DOCUMENT IS SUBMITTED IN CONFIDENCE FOR CONSIDERATION BY THE RECIPIENT ALONE UNLESS PERMISSION FOR FURTHER DISCLOSURE IS EXPRESSLY GRANTED IN WRITING.



# RJ45 Integrated Connector

Gigabit, Single Port, Through Hole, LED's, Tab-Down

Mechanical Material Specification										
Contact								Plastic Part	Shell	
Contact Finish										
RJ Contact				LED and Joint Contacts						
Contact Material	Contact Area	Solder Tail	Under-plating	LED Contact	Joint Contact	Finish	Under-plating	Housing and Insert	Trans-parent Insert	Front & Back
Phosphor Bronze	Gold	Tin/Lead (9:1)	Nickel	Brass		Tin/Lead (9:1)	Nickel	Thermal-plastic PA6T	Thermal-plastic PC	Stainless SUS304 -1/2H
0.35mm thick	30μ" MIN	100μ" MIN	50μ" MIN	0.30mm thick	0.35mm thick	100μ" MIN	50μ" MIN	Black UL 94V-0	Trans-parent UL 94V-0	0.25mm thick



PREPARED BY:

D. Rund

ENGINEER:

L. Le

QUALITY CONTROL:

D. Kelley

APPROVED:

J. Coleman

NOTE: Dimension tolerances are ±0.25[0.010]

DWG CONTROL NO. P-A1-13086 ACAD\TIC\A1130862.DWG	REV PRE	RJ45 INTEGRATED CONNECTOR	TIC-L048-11 MODEL SPECIFICATION		
CONTENTS OF THIS DRAWING ARE SUBJECT TO CHANGE WITHOUT PRIOR NOTICE			DIM: MM[IN]   SCL: NONE   SH: 2 OF 2		
<p><b>TAMURA CORPORATION OF AMERICA</b> 43352 BUSINESS PARK DRIVE, TEMECULA, CA. 92590-6624 (909) 699-1270 FAX 9096769482</p>					
<p>PROPRIETARY NOTICE: THIS DRAWING PRINT OR DOCUMENT AND SUBJECT MATTER DISCLOSED HEREIN ARE PROPRIETARY ITEMS TO WHICH TAMURA RETAINS THE EXCLUSIVE RIGHT OF DISSEMINATION, REPRODUCTION, MANUFACTURE AND SALE. THIS DRAWING, PRINT OR DOCUMENT IS SUBMITTED IN CONFIDENCE FOR CONSIDERATION BY THE RECIPIENT ALONE UNLESS PERMISSION FOR FURTHER DISCLOSURE IS EXPRESSLY GRANTED IN WRITING.</p>					